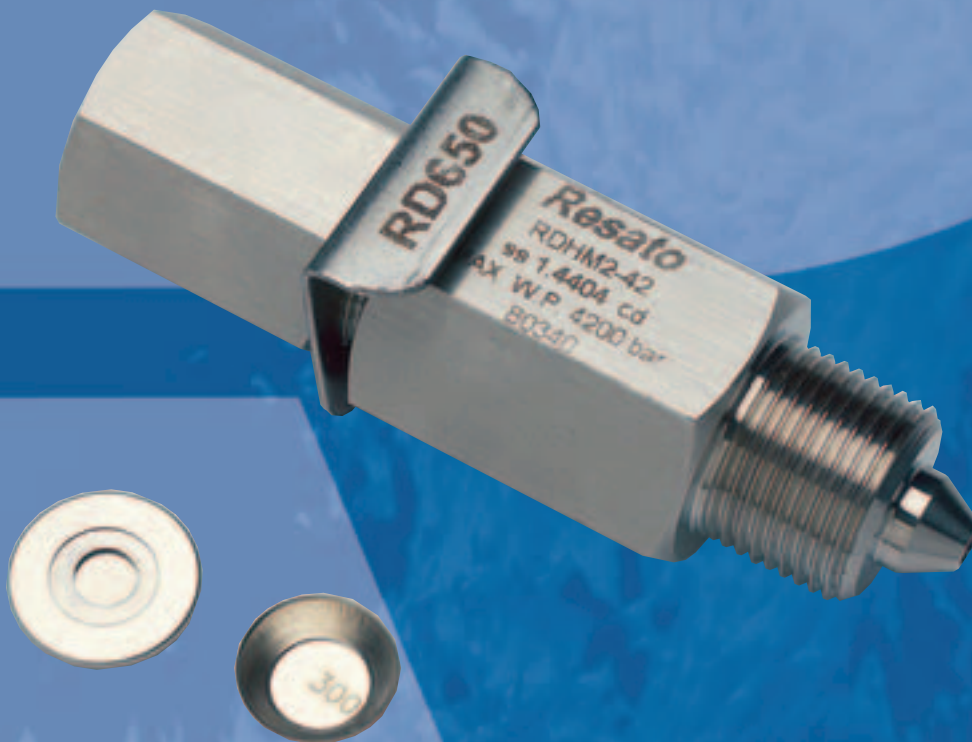


# Resato

HIGH PRESSURE TECHNOLOGY



## RUPTURE DISC HEADS TYPE RDH

The special design with male cone makes it possible to mount the rupture disc head directly to a Resato type F high-pressure fitting without using any interconnecting piping.

Universal hold-down rings permit the use of all standard rupture discs.

Can be installed in any type of F connector, elbow, T-piece or crossover.

Body and other parts are made of cold worked stainless steel type 1.4404 (316L) or 17-4 PH.

## RUPTURE DISC HEADS TYPE RDH

Resato offers universal rupture disc heads identical to the main sizes as the F-type fittings. The rupture disc heads can be mounted anywhere in a high-pressure system. They are designed to blow out when the pressure reaches a predetermined value. The male inlet connection can be inserted directly into a valve or fitting.

Outlet connections are 3/8 NPT-Female.

This outlet can be connected to a suitable discharge line to vent pressure to a safe location in case the rupture disc bursts.

The ordering codes used in the tables below specify the connection size and pressure range for which the rupture disc head is designed.

### CONNECTIONS M16X1.5 AND 9/16"-18 UNF MALE

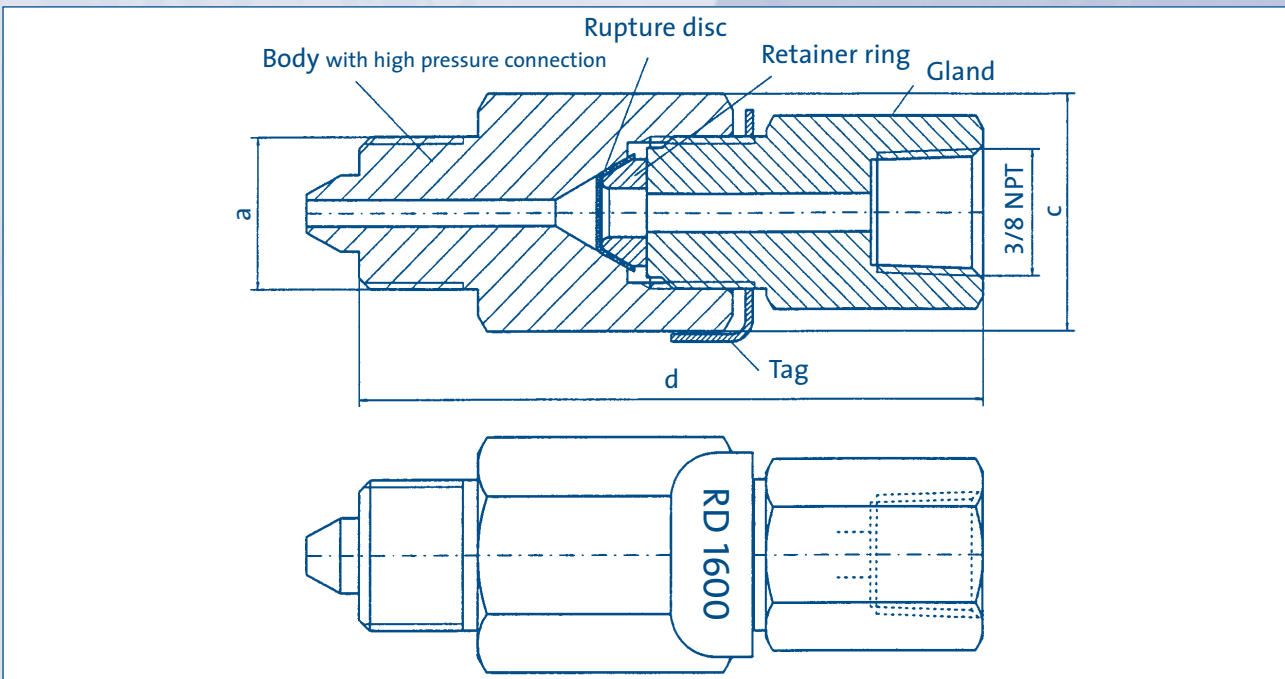
M16x1.5 (a) Ordering code	9/16"-18 UNF (a) Ordering code	Pressure rating bar / psi	Orifice	c mm	d mm
RDHM1-42	RDHMU1-42	4200 / 60,000	2.2	Hex.27	81
RDHM1-70	RDHMU1-70	7000 / 100,000	2.2	Hex.27	81

### CONNECTIONS M20X1.5 AND 3/4"-16 UNF MALE

M20x1.5 (a) Ordering code	3/4"-16 UNF (a) Ordering code	Pressure rating bar / psi	Orifice mm	c mm	d
RDHM2-42	RDHMU2-42	4200 / 60,000	3.5	Hex.27	84

Please note that rupture discs are not included and will have to be ordered separately.

## RUPTURE DISC HOLDER





## RUPTURE DISCS TYPE: RD

Standard rupture discs are available for use with our Rupture Disc Heads type RDH. The standard discs are made of stainless steel and we keep them in stock. Due to manufacturing tolerances the discs are provided within plus or minus 5% of the specified burst pressure rating. All discs are rated at 20° C with pressure correction for temperature variation. We recommend periodic replacement to prevent premature failure. Factors influencing rupture disc life include corrosion, metal fatigue and cyclic effects. We also recommend that working pressure does not exceed 80% of the burst pressure rating.

Other pressure ratings and materials are available on request. Consult factory for price and delivery time. Burst discs with the same burst pressure value are supplied with one tag indicating the burst pressure. This tag must be mounted on the rupture disc head.

### HOW TO ORDER:

To order a rupture disc, add the desired burst pressure value to the type code RD.

**Example:** RD-1900 is a rupture disc with a burst pressure of 1900 bar (27,500 psi).

### STANDARD BURST PRESSURES AT 20° C

Bar / psi	Bar / psi	Bar / psi
130 / 1900	750 / 11,000	2000 / 29,000
175 / 2500	865 / 12,500	2585 / 37,500
200 / 2900	1000 / 14,500	3150 / 45,500
260 / 3800	1250 / 18,000	3450 / 50,000
320 / 4600	1600 / 23,000	4310 / 62,500
430 / 6200	1725 / 25,000	5000 / 72,500
500 / 7200	1900 / 27,500	

Remark: The minimum number of rupture discs that can be ordered is three.



## EXAMPLES OF RESATO HIGH-PRESSURE COMPONENTS UP TO 14,000 BAR

Air-driven pumps and gas boosters  
Hydraulically-driven pumps and gas boosters  
Fittings  
General-purpose valves  
Check valves  
Swivels  
Hoses  
Tubing  
Pressure transducers  
Rupture-disc safety devices  
Quick connectors

## COMPANY PROFILE RESATO

Founded in 1985, Resato International B.V. is wholly specialized in the design and manufacture of high-pressure components and systems for pressures of up to 14,000 bar (200,000 psi).

At our modern manufacturing plant in Roden, The Netherlands, we have our own engineering and R&D departments as well as sophisticated production facilities. These enable us to furnish precisely the right component or system a client may need.

## EXAMPLES OF RESATO HIGH-PRESSURE EQUIPMENT AND SYSTEMS

Portable pressure-test systems  
Test equipment for hoses (safety) valves, fittings etc.  
Computer-controlled high-pressure test equipment  
Autofrettage systems  
Autoclaves  
Custom-made test equipment  
Water-jet cutting systems  
High-pressure food preservation systems  
PC data acquisition and recording systems

## RESATO INTERNATIONAL BV

P.O. Box 30, 9300 AA Roden - Holland  
 1e Energieweg 13, 9301 LK Roden - Holland

Phone: (+31) 50 - 501 6877

Fax: (+31) 50 - 501 2402

E-mail: [info@resato.com](mailto:info@resato.com)

Internet: [www.resato.com](http://www.resato.com)

Please note that general data and specifications given in this brochure are subject to change without notice. Feel free to contact our sales department if you need more definite information.