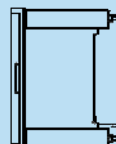
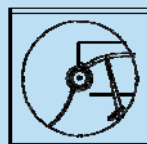
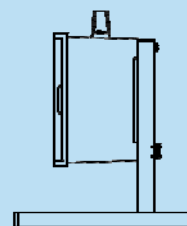
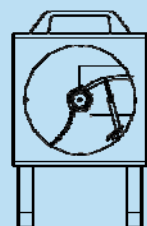


Resato mechanical chart recorder RPX-series.



Panel mounted
(RPX-XH)



Transportable
(RPX-XT)

Specifications

Main features:

Case	: AISI316 / 1.4401
Charts 50 pcs	: Ø166mm for 192 x 192mm, Ø223 mm for 280 x 280 mm
Wetted parts	: bourdon tube, AISI316Ti/1.4571
Pen	: single or double-pen
Movement	: brass
Clockwork	: mechanical spring wound, 1-, 4-, 12- 24-hour or 7 day rotation
Accuracy	: ±2.0% F.S.
Connection	: M16x1.5 HP-F

Ranges

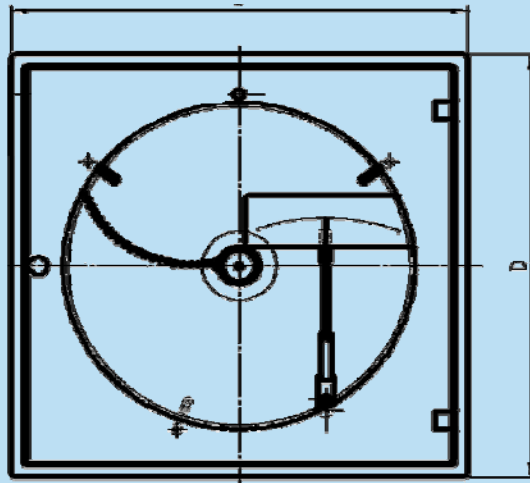
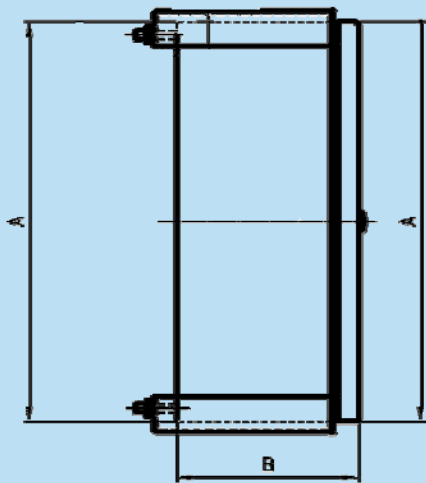
0-60 bar	0-1000 psi
0-100 bar	0-2500 psi
0-160 bar	0-3000 psi
0-250 bar	0-5000psi
0-400 bar	0-8000 psi
0-600 bar	0-10.000 psi
0-1000 bar	0-15.000 psi
0-1600 bar	0-20.000 psi
0-2000 bar	0-30.000 psi
0-2500 bar	0-45.000 psi
0-3000 bar	

Options:

- ✓ Transportable
- ✓ Double hour clockwork
- ✓ Double measurement system; pressure
- ✓ Double measurement system; combination of pressure and temperature

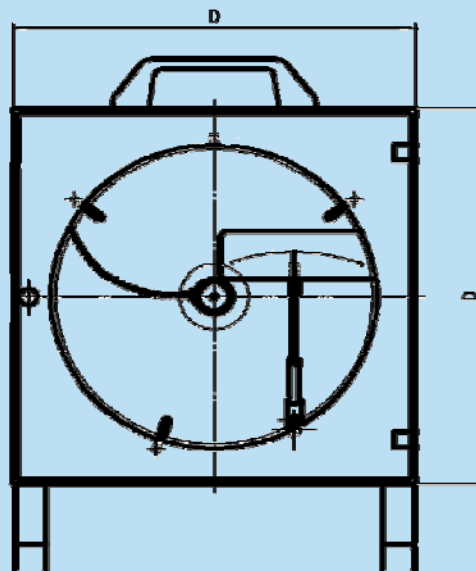
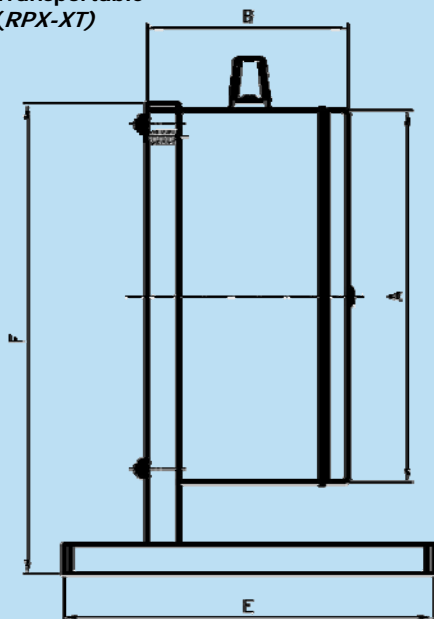


Panel mounted
(RPX-XH)



DIM.	CASE SIZE	
	192x192	280x280
A	185x185	280x280
D	197x197	293x293

Transportable
(RPX-XT)



DIM.	CASE SIZE	
	192x192	280x280
A	185x185	280x280
B	141	141
D	189x189	283x283
E	188	260
F	260	354