

# Resato

HIGH PRESSURE TECHNOLOGY



## HIGH-PRESSURE CHECK VALVES TYPES CV AND CVM

Direct and in-line mounting

Soft seating up to 4200 bar ensures high reliability

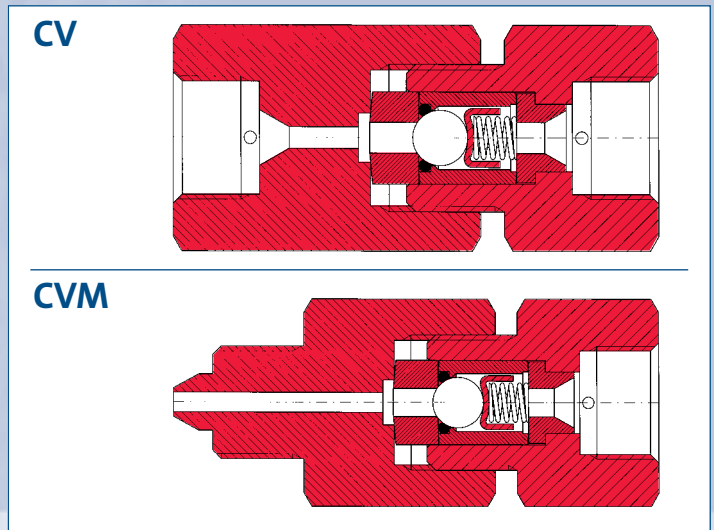
Proven reliability of the design up to 10,000 bar

## RESATO CHECK VALVES TYPES CV AND CVM

Resato check valves (types CV and CVM) are designed to ensure flow of liquids and gases in one direction only. When the differential pressure drops below the spring-cracking pressure, the valve shuts off. Up to 4200 bar (60,000 psi) valves are provided with balls and soft seats.

For 7000 (100,000 psi) and 10,000 bar (150,000 psi) check valves have a metal-to-metal seating.

For pressures up to 4200 bar check valves are available for direct mounting (type CVM) in high-pressure connections and for in-line mounting (type CV).



## MEDIA

The soft seats are standard suitable for the following media:

- Water
- Hydraulic and lubrication oils
- Air
- Helium
- Mineral base fluids
- Fluids types like an emulsion of water/oil or water/glycol
- Nitrogen
- Argon

For other liquids or gases, please contact our factory.

## IN-LINE TYPE CHECK VALVES

	<b>M16x1.5 (a)</b> <b>Ordering code</b> CV1-42	<b>Pressure rating</b> bar / psi 4200 / 60,000	<b>Orifice</b> mm 2.2
	<b>M16x1.5 (a)</b> <b>Ordering code</b> CV1-70 CV1-100*	<b>Pressure rating</b> bar / psi 7000 / 100,000 10,000 / 150,000	<b>Orifice</b> mm 1.2 1.2
	<b>M20x1.5 (a)</b> <b>Ordering code</b> CV2-21 CV2-42	<b>Pressure rating</b> bar / psi 2100 / 30,000 4200 / 60,000	<b>Orifice</b> mm 5.0 3.5
	<b>M30x1.5 (a)</b> <b>Ordering code</b> CV3-21 CV3-42	<b>Pressure rating</b> bar / psi 2100 / 30,000 4200 / 60,000	<b>Orifice</b> mm 8.0 5.0

## DIRECT MOUNTING CHECK VALVES

	<table border="1"> <thead> <tr> <th>M16x1.5 (a)</th> <th>Pressure rating</th> <th>Orifice</th> </tr> <tr> <th>Ordering code</th> <th>bar / psi</th> <th>mm</th> </tr> </thead> <tbody> <tr> <td>CVM1-42</td> <td>4200 / 60,000</td> <td>2.2</td> </tr> </tbody> </table>	M16x1.5 (a)	Pressure rating	Orifice	Ordering code	bar / psi	mm	CVM1-42	4200 / 60,000	2.2	<table border="1"> <thead> <tr> <th>Pressure rating</th> <th>Orifice</th> </tr> <tr> <th>bar / psi</th> <th>mm</th> </tr> </thead> <tbody> <tr> <td>4200 / 60,000</td> <td>2.2</td> </tr> </tbody> </table>	Pressure rating	Orifice	bar / psi	mm	4200 / 60,000	2.2					
M16x1.5 (a)	Pressure rating	Orifice																				
Ordering code	bar / psi	mm																				
CVM1-42	4200 / 60,000	2.2																				
Pressure rating	Orifice																					
bar / psi	mm																					
4200 / 60,000	2.2																					
	<table border="1"> <thead> <tr> <th>M20x1.5 (a)</th> <th>Pressure rating</th> <th>Orifice</th> </tr> <tr> <th>Ordering code</th> <th>bar / psi</th> <th>mm</th> </tr> </thead> <tbody> <tr> <td>CVM2-21</td> <td>2100 / 30,000</td> <td>5.0</td> </tr> <tr> <td>CVM2-42</td> <td>4200 / 60,000</td> <td>3.5</td> </tr> </tbody> </table>	M20x1.5 (a)	Pressure rating	Orifice	Ordering code	bar / psi	mm	CVM2-21	2100 / 30,000	5.0	CVM2-42	4200 / 60,000	3.5	<table border="1"> <thead> <tr> <th>Pressure rating</th> <th>Orifice</th> </tr> <tr> <th>bar / psi</th> <th>mm</th> </tr> </thead> <tbody> <tr> <td>2100 / 30,000</td> <td>5.0</td> </tr> <tr> <td>4200 / 60,000</td> <td>3.5</td> </tr> </tbody> </table>	Pressure rating	Orifice	bar / psi	mm	2100 / 30,000	5.0	4200 / 60,000	3.5
M20x1.5 (a)	Pressure rating	Orifice																				
Ordering code	bar / psi	mm																				
CVM2-21	2100 / 30,000	5.0																				
CVM2-42	4200 / 60,000	3.5																				
Pressure rating	Orifice																					
bar / psi	mm																					
2100 / 30,000	5.0																					
4200 / 60,000	3.5																					
	<table border="1"> <thead> <tr> <th>M30x1.5 (a)</th> <th>Pressure rating</th> <th>Orifice</th> </tr> <tr> <th>Ordering code</th> <th>bar / psi</th> <th>mm</th> </tr> </thead> <tbody> <tr> <td>CVM3-21</td> <td>2100 / 30,000</td> <td>8.0</td> </tr> <tr> <td>CVM3-42</td> <td>4200 / 60,000</td> <td>5.0</td> </tr> </tbody> </table>	M30x1.5 (a)	Pressure rating	Orifice	Ordering code	bar / psi	mm	CVM3-21	2100 / 30,000	8.0	CVM3-42	4200 / 60,000	5.0	<table border="1"> <thead> <tr> <th>Pressure rating</th> <th>Orifice</th> </tr> <tr> <th>bar / psi</th> <th>mm</th> </tr> </thead> <tbody> <tr> <td>2100 / 30,000</td> <td>8.0</td> </tr> <tr> <td>4200 / 60,000</td> <td>5.0</td> </tr> </tbody> </table>	Pressure rating	Orifice	bar / psi	mm	2100 / 30,000	8.0	4200 / 60,000	5.0
M30x1.5 (a)	Pressure rating	Orifice																				
Ordering code	bar / psi	mm																				
CVM3-21	2100 / 30,000	8.0																				
CVM3-42	4200 / 60,000	5.0																				
Pressure rating	Orifice																					
bar / psi	mm																					
2100 / 30,000	8.0																					
4200 / 60,000	5.0																					

## MATERIALS:

**Body and gland material:** 1.4404 (316L) or 15-5PH  
**Spring:** 1.4310  
**Ball / poppet:** 1.4034/1.4404  
**Seating:** Viton O-ring (code V) up to 4200 bar  
**Alternatives:** EPDM (code E)  
 BUNA-N (code B)

## ORDERING EXAMPLES:

CV1	-	42	/	V
↓		↓		↓
In-line check valve with M16x1.5 connections		Pressure rating: 4200 bar		Soft seat: Viton

## EXAMPLES OF RESATO HIGH-PRESSURE COMPONENTS UP TO 14,000 BAR

Air-driven pumps and gas boosters  
Hydraulically-driven pumps and gas boosters  
Fittings  
General-purpose valves  
Check valves  
Swivels  
Hoses  
Tubing  
Pressure transducers  
Rupture-disc safety devices  
Quick connectors

## EXAMPLES OF RESATO HIGH-PRESSURE EQUIPMENT AND SYSTEMS

Portable pressure-test systems  
Test equipment for hoses (safety) valves, fittings etc.  
Computer-controlled high-pressure test equipment  
Autofrettage systems  
Autoclaves  
Custom-made test equipment  
Water-jet cutting systems  
High-pressure food preservation systems  
PC data acquisition and recording systems

## COMPANY PROFILE RESATO

Founded in 1985, Resato International B.V. is wholly specialized in the design and manufacture of high-pressure components and systems for pressures of up to 14,000 bar (200,000 psi).

At our modern manufacturing plant in Roden, The Netherlands, we have our own engineering and R&D departments as well as sophisticated production facilities. These enable us to furnish precisely the right component or system a client may need.

## RESATO INTERNATIONAL BV

P.O. Box 30, 9300 AA Roden - Holland  
 1e Energieweg 13, 9301 LK Roden - Holland

Phone: (+31) 50 - 501 6877

Fax: (+31) 50 - 501 2402

E-mail: [info@resato.com](mailto:info@resato.com)

Internet: [www.resato.com](http://www.resato.com)

Please note that general data and specifications given in this brochure are subject to change without notice. Feel free to contact our sales department if you need more definite information.